



Sluiskade 134
9581 JR Musselkanaal
Netherlands

T +31(0)20.716. 36. 55
www.villa-proctrl.nl
info@villa-proctrl.nl

PROJECT
Lectern Voitablo

DESIGNED BY
Villa ProCtrl

DRAWN BY
T.Koops

PROJECT NO.
14011301

RE-ISSUE

Date
09-07-2013

DESIGNED BY
Villa ProCtrl



Overall Dimensions

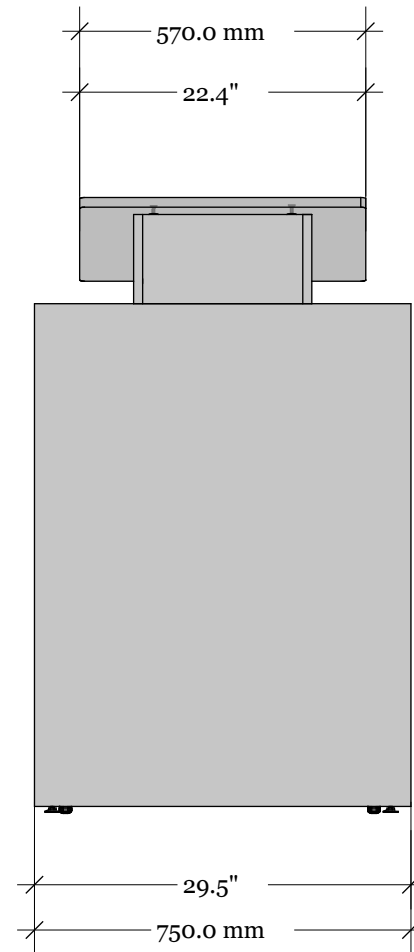
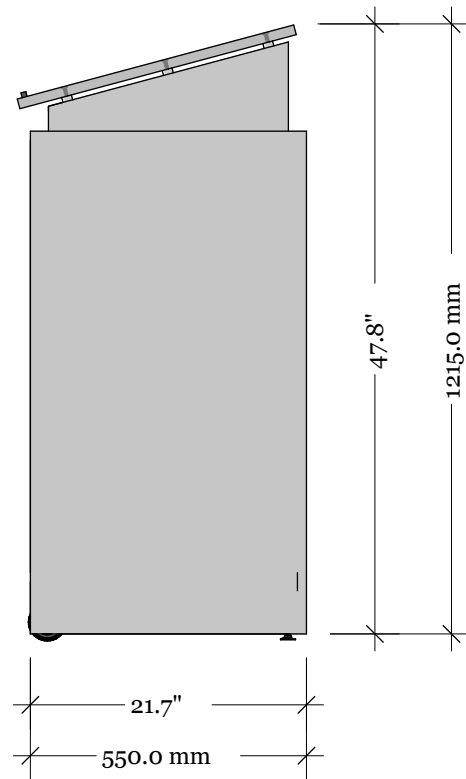
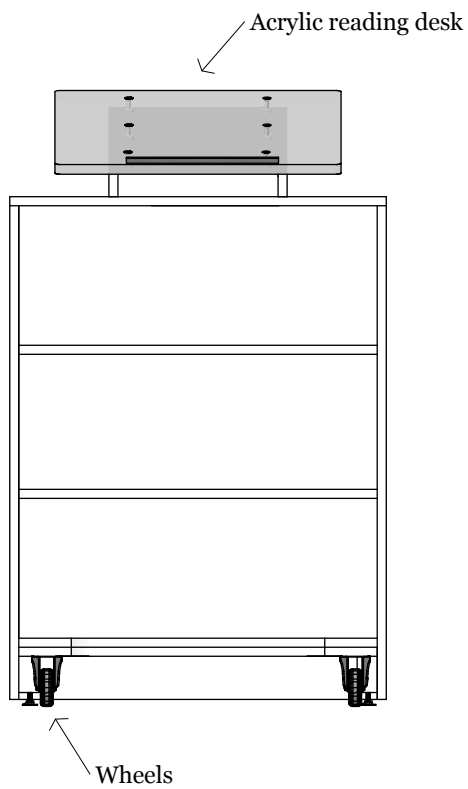
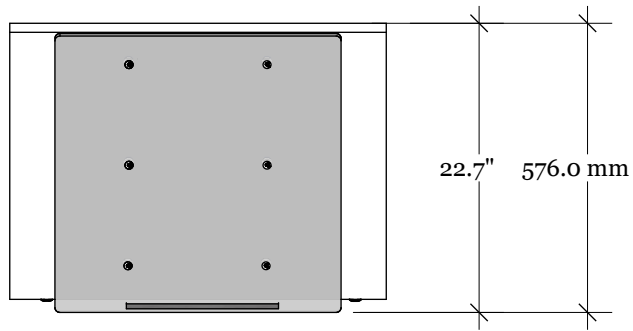


Sluiskade 134
9581 JR Musselkanaal
Netherlands

T +31(0)20.716. 36. 55
www.villa-proctrl.nl
info@villa-proctrl.nl

PROJECT
Lectern Voitablo

Weight approx 51 Kg / 112.44 Lbs



DESIGNED BY
Villa ProCtrl

DRAWN BY
T.Koops

PROJECT NO.
14011301

RE-ISSUE

Date
09-07-2013